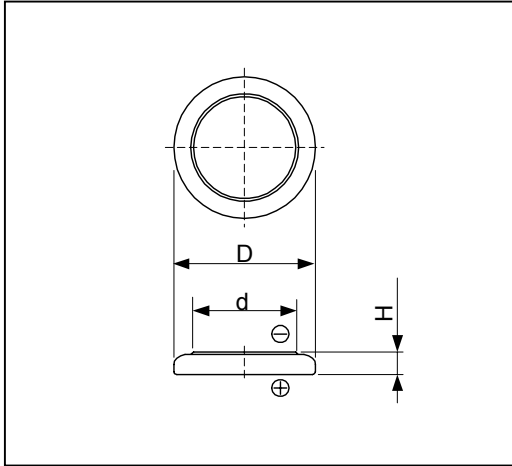


Cell Type CR1220 Specifications



Nominal Capacity ^{*1}	Typical	36mAh
	Minimum	25mAh
Nominal Voltage		3V
Standard Discharge Current		0.1mA
Max. Discharge Current	Continuous ^{*2}	2mA
	Pulse ^{*3}	10mA
Temperature Range		-20°C ~ 70°C
Weight		0.8g
Dimensions	D	12.5mm
	H	2.0mm
	d	9.6mm

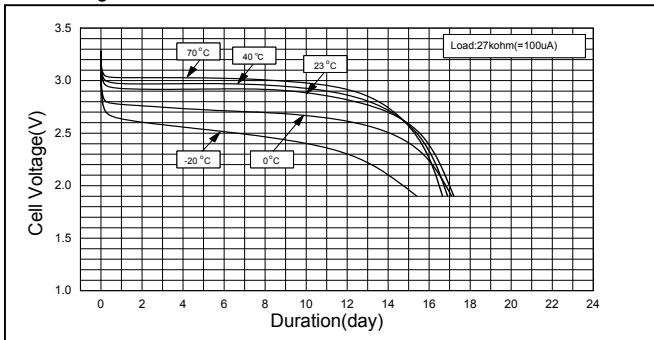
*1 Nominal capacity is determined to an end voltage of 2.0V when the battery is allowed to discharge at a standard current level at 23°C.

*2 Current value is determined to be the level at which 50% of the nominal capacity is obtained with an end voltage of 2.0V at 23°C.

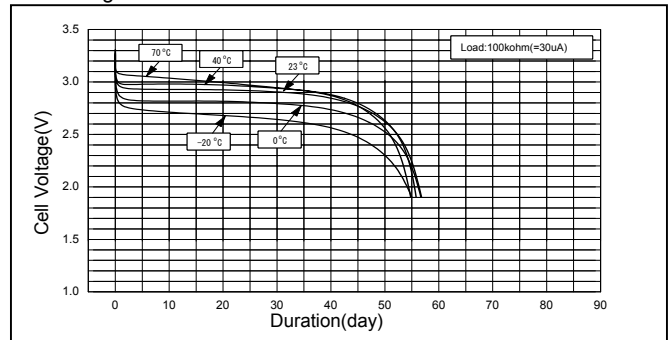
*3 Current value for obtaining 2.0V cell voltage when pulse is applied for 15seconds at 50% discharge depth at 23°C.

Typical Characteristics

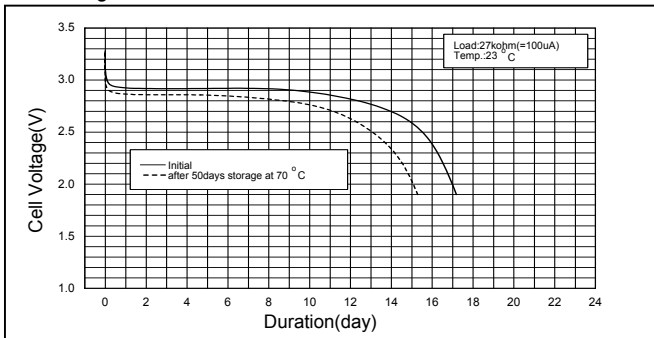
Discharge Characteristics of CR1220



Discharge Characteristics of CR1220



Discharge Characteristics of CR1220



Discharge Load vs. Capacity of CR1220

